

/// MA 200i

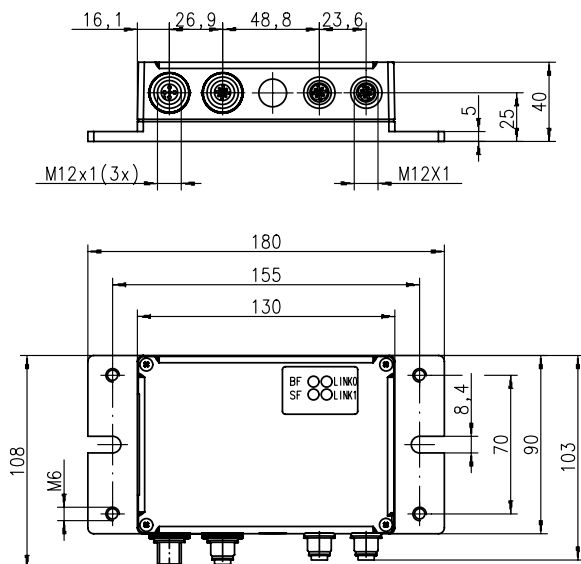


Fieldbus gateways for field use for connecting bar code readers and identification systems.

**Benefits:**

- Fieldbus gateway for RS 232 devices with pre-configuration for Leuze electronic Ident devices and sensors
- With service interface, 9 pin SubD
- Degree of protection IP 65

| Part no. | Part description | Suitable for | Interface | Supply voltage | Degree of protection |
|----------|-----------------------------|---|-------------------------------|----------------|----------------------|
| 50112893 | MA 204i Profibus gateway | BCL 2x series bar code readers, BCL 8 series bar code readers, BPS 8 series bar code positioning system, HFxx series mobile RFID read/write systems, RFM 12 / 32 / 62, RFI 32, IT 1900 series mobile 2D-code readers, IT 1902 series mobile 2D-code readers, IT 1910 series mobile 2D-code readers, IT 1911 series mobile 2D-code readers, FIS series mobile 2D-code readers, HS 65x8, LSIS 222 series stationary 2D-code readers, DCR 200i series stationary 2D-code readers | PROFIBUS DP, RS 232 | 18 ...30V DC | IP 65 |
| 50112892 | MA 208i Ethernet gateway | BCL 2x series bar code readers, BCL 8 series bar code readers, BPS 8 series bar code positioning system, HFxx series mobile RFID read/write systems, RFM 12 / 32 / 62, RFI 32, IT 1900 series mobile 2D-code readers, IT 1902 series mobile 2D-code readers, IT 1910 series mobile 2D-code readers, IT 1911 series mobile 2D-code readers, FIS series mobile 2D-code readers, HS 65x8, LSIS 222 series stationary 2D-code readers | Ethernet, RS 232, TCP/IP, UDP | 18 ...30V DC | IP 65 |
| 50114154 | MA 235i CANopen gateway | BCL 2x series bar code readers, BCL 8 series bar code readers, BPS 8 series bar code positioning system, HFxx series mobile RFID read/write systems, RFI 32, RFM 12 / 32 / 62, IT 1900 series mobile 2D-code readers, IT 1902 series mobile 2D-code readers, IT 1910 series mobile 2D-code readers, IT 1911 series mobile 2D-code readers, FIS series mobile 2D-code readers, HS 65x8, LSIS 222 series stationary 2D-code readers, DCR 200i series stationary 2D-code readers | CANopen, RS 232 | 18 ...30V DC | IP 65 |
| 50114155 | MA 238i EtherCAT gateway | BCL 2x series bar code readers, BCL 8 series bar code readers, BPS 8 series bar code positioning system, HFxx series mobile RFID read/write systems, RFI 32, RFM 12 / 32 / 62, IT 1900 series mobile 2D-code readers, IT 1902 series mobile 2D-code readers, IT 1910 series mobile 2D-code readers, IT 1911 series mobile 2D-code readers, FIS series mobile 2D-code readers, HS 65x8, LSIS 222 series stationary 2D-code readers, DCR 200i series stationary 2D-code readers | EtherCAT, RS 232 | 18 ...30V DC | IP 65 |
| 50112891 | MA 248i PROFINET gateway | BCL 2x series bar code readers, BCL 8 series bar code readers, HFxx series mobile RFID read/write systems, BPS 8 series bar code positioning system, RFM 12 / 32 / 62, RFI 32, IT 1900 series mobile 2D-code readers, IT 1902 series mobile 2D-code readers, IT 1910 series mobile 2D-code readers, IT 1911 series mobile 2D-code readers, FIS series mobile 2D-code readers, HS 65x8, LSIS 222 series stationary 2D-code readers, DCR 200i series stationary 2D-code readers | PROFINET, RS 232 | 18 ...30V DC | IP 65 |
| 50114156 | MA 255i DeviceNet gateway | BCL 2x series bar code reader, BCL 8 series bar code readers, BPS 8 series bar code positioning system, HFxx series mobile RFID read/write systems, RFM 12 / 32 / 62, RFI 32, Optical distance sensors (ODS/L with RS232), IT 1900 series mobile 2D-code readers, IT 1902 series mobile 2D-code readers, IT 1910 series mobile 2D-code readers, IT 1911 series mobile 2D-code readers, FIS series mobile 2D-code readers, HS 65x8, LSIS 222 series stationary 2D-code readers, DCR 200i series stationary 2D-code readers | RS 232, DeviceNet | 18 ...30V DC | IP 67 |
| 50114157 | MA 258i EtherNet/IP gateway | BCL 2x series bar code readers, BCL 8 series bar code readers, BPS 8 series bar code positioning system, HFxx series mobile RFID read/write systems, RFM 12 / 32 / 62, RFI 32, IT 1900 series mobile 2D-code readers, IT 1902 series mobile 2D-code readers, IT 1910 series mobile 2D-code readers, IT 1911 series mobile 2D-code readers, FIS series mobile 2D-code readers, HS 65x8, LSIS 222 series stationary 2D-code readers, DCR 200i series stationary 2D-code readers | EtherNet IP, RS 232 | 18 ...30V DC | IP 65 |

Dimensioned drawings: MA 200i

MA 2xxi modular connection unit

ACCESSORIES: MA 200i

Connection technology

Connection cables

| Part no. | Part description | Connection 1 | No. of pins | Cable length | Interface | Sheathing material |
|----------|--------------------|-------------------------------|-------------|--------------|--------------------|--------------------|
| 50104557 | K-D M12A-5P-5m-PVC | Connector, M12, axial, female | 5-pin | 5,000 mm | | PVC |
| 50114696 | KB DN/CAN-5000 BA | Connector, M12, axial, female | 5-pin | 5,000 mm | DeviceNet, CANopen | PUR |
| 50114697 | KB DN/CAN-5000 SA | Connector, M12, axial, male | 5-pin | 5,000 mm | CANopen, DeviceNet | PUR |
| 50104187 | KB PB-5000-SA | Connector, M12, axial, male | 5-pin | 5,000 mm | PROFIBUS DP | PUR |
| 50104180 | KB PB-5000-BA | Connector, M12, axial, female | 5-pin | 5,000 mm | PROFIBUS DP | PUR |
| 50115044 | KB JST-3000 | JST ZHR | | 3,000 mm | RS 232 | PUR |

Further connection cables can be found on our website

Interconnection cables

| Part no. | Part description | Connection 1 | Connection 1, no. of pins | Connection 2 | Connection 2, no. of pins | Cable length | Interface | Sheathing material |
|----------|-----------------------------|-------------------------------|---------------------------|-----------------------------|---------------------------|--------------|--------------------|--------------------|
| 50115049 | K-DS M12A-MA-5P-3m-S-PUR | Connector, M12, axial, female | 5-pin | JST ZHR | | 3,000 mm | | PUR |
| 50115050 | K-DS M12A-MA-8P-3m-S-PUR | Connector, M12, axial, female | 8-pin | JST ZHR | | 3,000 mm | | PUR |
| 50114698 | KB DN/CAN-5000 SBA | Connector, M12, axial, female | 5-pin | Connector, M12, axial, male | 5-pin | 5,000 mm | DeviceNet, CANopen | PUR |
| 50130631 | KSS ET-M12-4A-M12-4A-P7-010 | Connector, M12, axial, male | 4-pin | Connector, M12, axial, male | 4-pin | 1,000 mm | Ethernet | PUR |
| 50130632 | KSS ET-M12-4A-RJ45-A-P7-010 | Connector, M12, axial, male | 4-pin | RJ45 | | 1,000 mm | Ethernet | PUR |
| 50109881 | KB ET-5000-SA-RJ45 | Connector, M12, axial, male | 4-pin | RJ45 | | 5,000 mm | Ethernet | PUR |
| 50106900 | KB ET-5000-SSA | Connector, M12, axial, male | 4-pin | Connector, M12, axial, male | 4-pin | 5,000 mm | Ethernet | PUR |
| 50104098 | KB PB-5000-SBA | Connector, M12, axial, female | 5-pin | Connector, M12, axial, male | 5-pin | 5,000 mm | PROFIBUS DP | PUR |
| 50113468 | KB JST-M12A-8P-Y-3000 | Connector, M12, axial, male | 8-pin | JST ZHR | | 3,000 mm | RS 232 | PUR |
| 50113467 | KB JST-M12A-5P-3000 | Connector, M12, axial, female | 5-pin | JST ZHR | | 3,000 mm | RS 232 | PUR |
| 50113397 | KB JST-HS-300 | JST ZHR | | Sub-D, male, axial | | 300 mm | RS 232 | PUR |

Further interconnection cables can be found on our website

User-configurable connectors

| Part no. | Part description | Connection | No. of pins | Interface |
|----------|------------------|-------------------------------|-------------|----------------------------|
| 50038538 | KD 02-5-BA | Connector, M12, axial, female | 5-pin | PROFIBUS DP, multiNet Plus |
| 50038537 | KD 02-5-SA | Connector, M12, axial, male | 5-pin | PROFIBUS DP, multiNet Plus |

Further connectors can be found on our website

 Switching
sensors

 Measuring
sensors

 Products for
safety at work

Identification

 Data transmission /
Control components

 Industrial image
processing

Accessories